

MOSCA[®]

STRAPPING SYSTEMS

KOV 315

AUTOMATIC
STRAPPING MACHINE



Beton-Lang Mosbach/Germany: Horizontal strapping of palletized concrete bricks

AUTOMATIC HORIZONTAL STRAPPING MACHINE KOV 315

MOSCA-Horizontal Strapping Machines Secure Pallet Loads or Stacked Boxes, Trays and Blocks with Polyester Straps

KOV 315 (BASIC MODEL)

MOSCA-strapping machines are series-produced based on a modular principle. Sturdy design. Program-controlled integration in conveyor lines. Fully automatic horizontal strapping in various height-positions. Easy TEACH-IN programming. Designed as two-guide-pillar system, carried out as heavy duty steel construction. Strap des-penser for slack accumulation and take-up of excess strap. Easy and fast reloading of coils. Particularly suitable machine for automatic strapping of pallet loaded goods of stacked boxes, trays and blocks. Friction-weld sealing.

DIFFERENT MODELS

KOV 315, BASIC MODEL

- Laterally friction-weld sealing
- Height moveable, horizontal arch
- Friction-weld sealing unit, moveable laterally to the package
- Operator panel with electrical and electronic controls

KOB 315, SPECIAL VERSION

Like basic model KOV 315

- Additionally equipped with 2-side aligning device (right-angled to the direction of the package)

KOH 315, SPECIAL VERSION

Like basic model KOV 315

- Additionally equipped with 4-side aligning device

KOV 316; KOB 316; KOH 316; SPECIAL VERSION

Like variants KOV 315/ KOB 315/ KOH 315

- Additionally equipped with moveable arch, travelling forth and back in conveying direction

TECHNICAL DATA

CAPACITY:

Approx. 10 sec. each horizontal strap, depends on package dimensions

ELECTRICAL POWER:

Operating Voltage: 400 V, 50 Hz, 3 PH / N / PE

Control Voltage: 24 V DC

Total Connection: 4 KVA

STRAPPING:

Height of Strap Position: Variabel, min. 40 mm above conveyor surface

Strap Types: Standard machine grade PP and PET straps

Width: 9.5 – 16.0 mm

Thickness: 0.4 – 0.72 mm

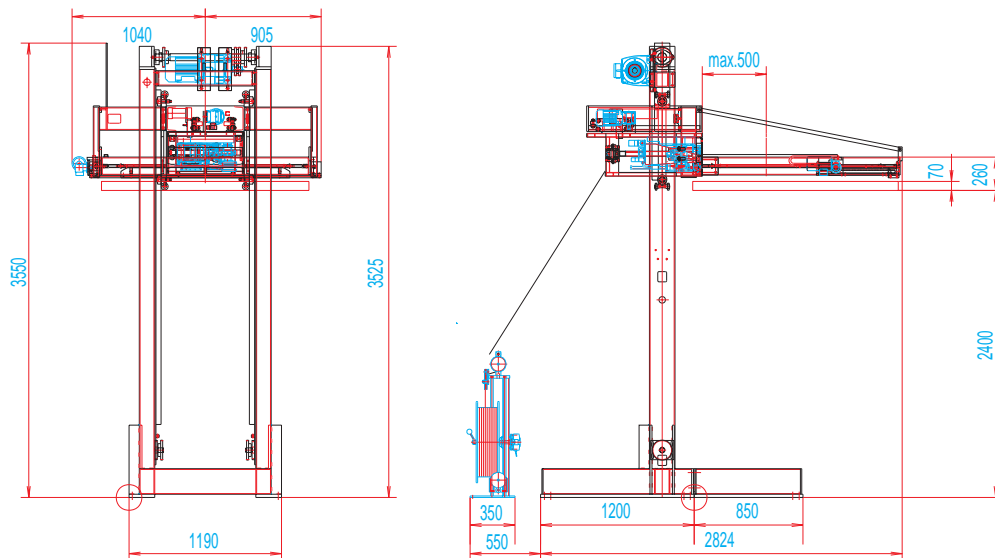
Break Strength: 2,200 – 7,500 N

Strap Tension: 250 – 2,500 N infinitely adjustable

Strap Feed: 4.2 m/sec.

SEALING HEAD:

MOSCA-friction sealing head with strap tension balance, moveable towards the package (stroke max. 500 mm)



8 / 02 Subject to Alterations

**MASCHINENFABRIK
GERD MOSCA AG**

Gartenstraße 1
D-69429 Waldbrunn/Strümpfelbrunn
Tel.: +49 (0) 62 74 / 9 32-0
Fax: +49 (0) 62 74 / 9 32-2 40
Tel. Service: +49 (0) 62 74 / 9 32-110
Internet: <http://www.mosca-ag.com>
E-Mail: info@mosca-ag.com

